

## ISD-SC6550S-E2CVL X-ray Intelligent Security Inspection System

The ISD-SC6550S-E2CVL X-ray intelligent security inspection system integrates intelligent identification and variable speed detection functions, which can better solve the problems of missed inspection caused by the low concentration of security inspectors and excessive security inspection pressure during peak hours. The products are suitable for government agencies, transportation hubs, logistics industry, courts, procuratorates, prisons, embassies, factories, schools, hospitals, gymnasiums, exhibitions, entertainment venues and other scenes, and can be used for the security inspection of briefcases, mail cases, express packages, portable bags and small parcels.



- Advanced material properties identification technology can effectively identify the equivalent of atomic number of item (such as metal and organics) and give a different color
- Intelligent recognition technology is a deep learning recognition algorithm with full independent intellectual property rights, which realizes the integration of intelligent recognition algorithm and X-ray imaging software, and achieves better recognition effect
- Radiation leakage reaches environmental level
- Speed can be changed according to the scene
- Double lead curtain design effectively reduce the radiation lead shade place
- Supports access to Hik-central, and implement the data upload
- Data storage supports local storage, view and playback of the images and alarm information
- Event tracing can organically combine X-ray image with passenger video information to realize human package tracing
- Supports login with face and fingerprint authentication



## ▪ Specification

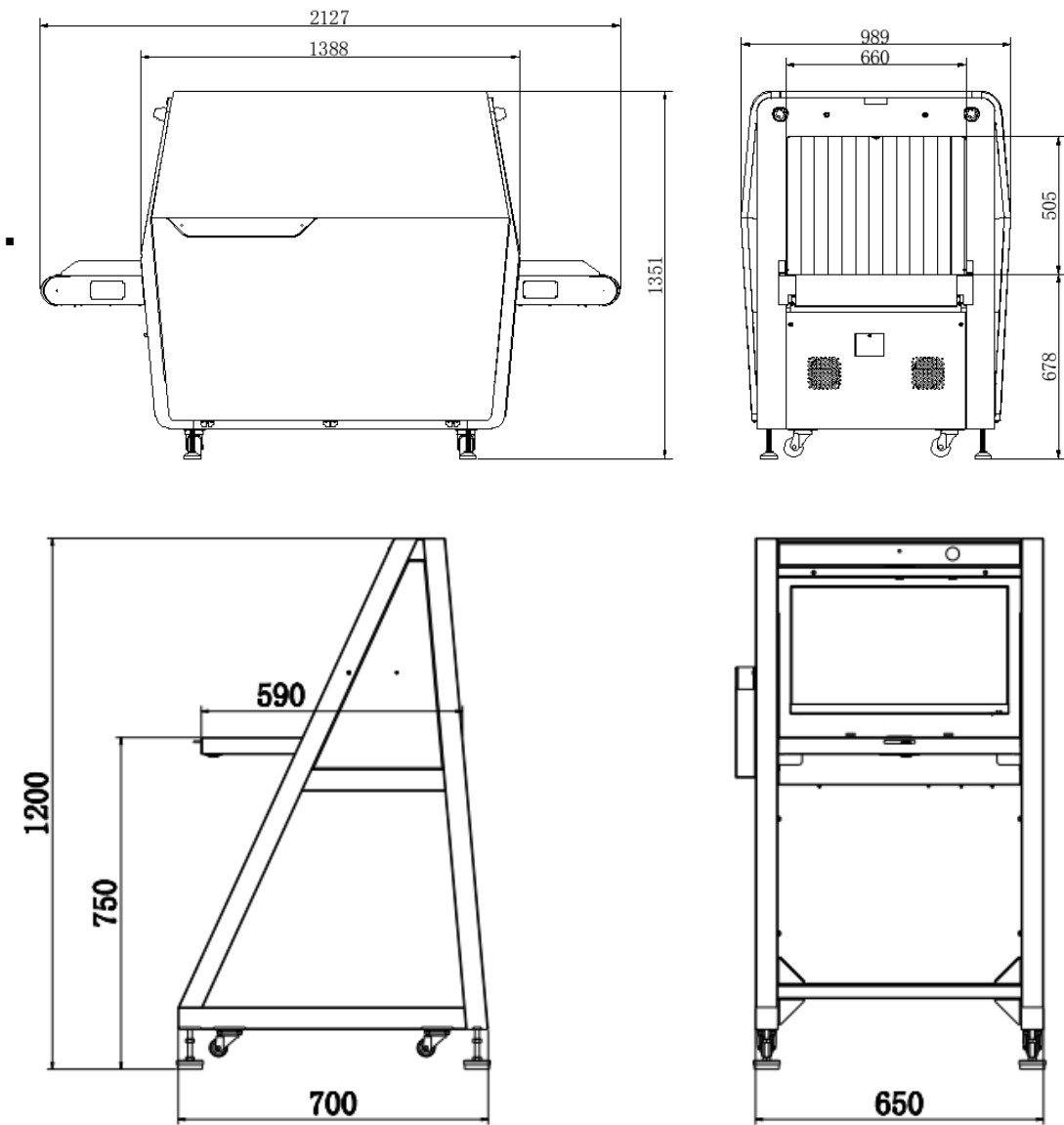
	Model	ISD-SC6550S-E2CVL
<b>Size</b>	Tunnel Size	650 mm(W) × 500 mm(H)
	Dimension	2127 mm × 989 mm × 1351mm (L x W x H)
	Operation Desk Size	850mmx 700mm x 1200mm (L x W x H)
<b>Performance</b>	Line Resolution	38AWG standard, 40AWG typical
	Penetration Steel panel	30mm standard, 34mm typical
	Spatial Resolution	1.0mm(Horizontal and vertical)
	X-Ray Generator	160kV 1.2mA(Adjustable)
	X-Ray Cooling/Work Period	Oil Cooling/Continuous
	Film Security	Standard of ASA/ISO1600
<b>Radiation</b>	Leakage	< 1μGy/h, 50mm away from the device sheet
<b>Conveyor</b>	Conveyor Height	678mm
	Speed	0.2m/s, 0.3m/s, 0.4m/s adjustable
<b>Monitoring System</b>	Sensor Type	1/2.7" Progressive Scan CMOS
	Camera	2 ch
	Video Compression Standard	H.265 /H.264 / MJPEG
	Max. Image Size	1920× 1080
	Frame Rate	50Hz: 25fps (1920× 1080, 1536× 864, 1280 × 720)
	Storage Time	≥30 days
<b>Intelligent Function</b>	Prohibited Goods	35 major types
	Login Method	Face/ Fingerprint/ Password
<b>Operation Panel</b>	Screen Size	21.5", Single Screen,1920×1080
	Camera Image Size	1 ch, 1920 x 1080
<b>General</b>	Consumption	< 0.8 KVA
	Power	220VAC(±10%) 50±3Hz
	Operating Humidity	10% to 90%(No Condensation)
	Operating Temperature	0°C to 45°C
	Weight	Net : 600 kg(With rack and operating table gross weight 900kg)

\* Stated performance as measured by HIKVISION Imaging Standard Test Piece

## ▪ Available Model

ISD-SC6550S-E2CVL	Main machine	X-Ray Intelligent Security Check Machine, monitor, mouse included.
	Exit table/ carrier	0.6 m exit Flat table included

▪ Dimension





Distributed by

**HIKVISION®****Headquarters**

No.555 Qianmo Road, Binjiang District,  
Hangzhou 310051, China  
T +86-571-8807-5998  
overseasbusiness@hikvision.com

**Hikvision USA**  
T +1-909-895-0400  
sales.usa@hikvision.com

**Hikvision Australia**  
T +61-2-8599-4233  
salesau@hikvision.com

**Hikvision India**  
T +91-22-28469900  
sales@pramahikvision.com

**Hikvision Canada**  
T +1-866-200-6690  
sales.canada@hikvision.com

**Hikvision Thailand**  
T +662-275-9949  
sales.thailand@hikvision.com

**Hikvision Europe**  
T +31-23-5542770  
sales.eu@hikvision.com

**Hikvision Italy**  
T +39-0438-6902  
info.it@hikvision.com

**Hikvision Brazil**  
T +55 11 3318-0050  
Latam.support@hikvision.com

**Hikvision Turkey**  
T +90 [216]521 7070- 7074  
sales.tr@hikvision.com

**Hikvision Malaysia**  
T +601-7652-2413  
sales.my@hikvision.com

**Hikvision UK & Ireland**  
T +01628-902140  
sales.uk@hikvision.com

**Hikvision South Africa**  
Tel: +27 (10) 0351172  
sale.africa@hikvision.com

**Hikvision France**  
T +33(0)1-85-330-450  
info.fr@hikvision.com

**Hikvision Kazakhstan**  
T +7-727-9730667  
nikia.panfilov@hikvision.ru

**Hikvision Vietnam**  
T +84-974270888  
sales.vt@hikvision.com

**Hikvision UAE**  
T +971-4-4432090  
salesme@hikvision.com

**Hikvision Singapore**  
T +65-6684-4718  
sg@hikvision.com

**Hikvision Spain**  
T +34-91-737-16-55  
info.es@hikvision.com

**Hikvision Tashkent**  
T +99-87-1238-9438  
uzb@hikvision.ru

**Hikvision Hong Kong**  
T +852-2151-1761  
info.hk@hikvision.com

**Hikvision Russia**  
T +7-495-669-67-99  
saleru@hikvision.com

**Hikvision Korea**  
T +82-(0)31-731-8817  
sales.korea@hikvision.com

**Hikvision Poland**  
T +48-22-460-01-50  
info.pl@hikvision.com

**Hikvision Indonesia**  
T +62-21-2933759  
Sales.Indonesia@hikvision.com

**Hikvision Colombia**  
sales.colombia@hikvision.com